

PARTS LIST

CAUTION

- The parts identified by the \triangle symbol are important for the safety . Whenever replacing these parts, be sure to use specified ones to secure the safety .
- The parts not indicated in this Parts List and those which are filled with lines --- in the Parts No. columns will not be supplied .
- P. W. Board Ass'y will not be supplied, but those which are filled with the Parts No. in the Parts No. columns will be supplied .

ABBREVIATIONS OF RESISTORS, CAPACITORS

RESISTOR

RC..... CARBON RESISTOR

CAPACITORS

CC..... CERAMIC CAPACITOR
 CE..... ALUMI ELECTROLYTIC CAPACITOR
 CP..... POLYESTER CAPACITOR
 CPP..... POLYPROPYLENE CAPACITOR
 CPL..... PLASTIC CAPACITOR
 CMP..... METAL POLYESTER CAPACITOR
 CMPL..... METAL PLASTIC CAPACITOR
 CMPP..... METAL POLYPROPYLENE CAPACITOR

CONTENTS

- USING P.W. BOARD 21
- MECHANICAL REPLACEMENT PARTS LIST 22
- MECHANICAL EXPLODED VIEW 23
- ELECTRICAL REPLACEMENT PARTS LIST 24
- PACKING & ACCESSORY REPLACEMENT PARTS LIST 31

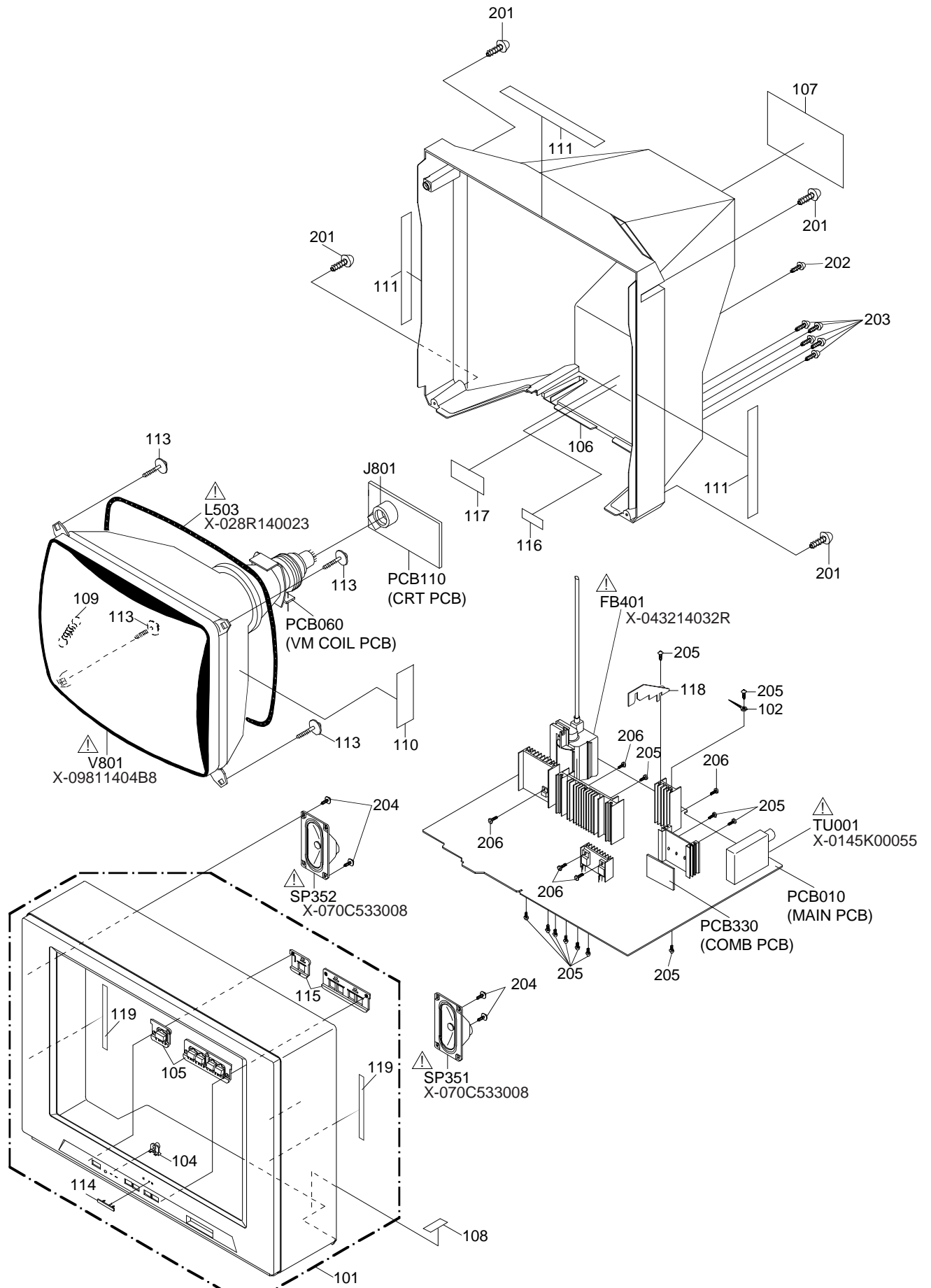
USING P.W. BOARD

Model	
	AV-24F702
P.W.B ASS'Y	
MAIN PCB ASS'Y	X-A3J707I010
VM COIL PCB ASS'Y	X-A3J707I060
CRT PCB ASS'Y	X-A3J707I110
COMB FILTER ASS'Y	X-A3J707I330

MECHANICAL REPLACEMENT PARTS LIST

REF. NO.	PART NO.	DESCRIPTION
101	X-A3J7071720	CABINET,FRONT ASSY
102	X-8995034000	CORD CLIP UL CO.
104	X-713WPA0167	GLASS,LED
105	X-735WPBA299	BUTTON,FRAME
106	X-702WPAA168	CABINET,BACK
107	X-722538A006	SHEET,RATING
108	X-7230006818	SHEET,CAUTION
109	X-741WUA0019	SPRING,EARTH
110	X-7222022530	SHEET,ORION
111	X-800WQ00039	FELT SHEET
113	X-8121J50C04	SCREW,TAPPING(B0) GW15
114	X-7235380006	BADGE,BRAND
115	X-735WPA0583	BUTTON,HOLDER
116	X-7220001107	SHEET,HWC
117	X-7220001119	SHEET,CSA WARNING
118	X-753WSA0143	ANGLE,PCB
119	X-800WQ0A009	FELT SHEET
201	X-8117540A64	SCREW,TAPPING(B0) TRUSS 4x16
202	X-8117540A24	SCREW,TAPPING(B0) TRUSS 4x12
203	X-8110630A04	SCREW,TAP TITE(P) BRAZIER 3x10
204	X-8110630804	SCREW,TAP TITE(P) BRAZIER 3x8
205	X-8109630802	SCREW,TAP TITE(B) BRAZIER 3x8
206	X-8109130A04	SCREW,TAP TITE(B) WH7 3x10

MECHANICAL EXPLODED VIEW



ELECTRICAL REPLACEMENT PARTS LIST

REF. NO.	PART NO.	DESCRIPTION	REF. NO.	PART NO.	DESCRIPTION
RESISTORS			RESISTORS		
△ R001	X-R3X181273J	R,METAL OXIDE 27K OHM 1W	R323	X-R801R7822J	RC 8.2K OHM 1/10W
R006	X-R801R7271J	RC 270 OHM 1/10W	R324	X-R801R7182J	RC 1.8K OHM 1/10W
R007	X-R801R7271J	RC 270 OHM 1/10W	R325	X-R801R7182J	RC 1.8K OHM 1/10W
R101	X-R801R7561J	RC 560 OHM 1/10W	R326	X-R002T4101J	RC 100 OHM 1/4W
R102	X-R801R7102J	RC 1K OHM 1/10W	R327	X-R801R7104J	RC 100K OHM 1/10W
R103	X-R801R7105J	RC 1M OHM 1/10W	R328	X-R801R7101J	RC 100 OHM 1/10W
R104	X-R801R7561J	RC 560 OHM 1/10W	R330	X-R002T4103J	RC 10K OHM 1/4W
R106	X-R801R7153J	RC 15K OHM 1/10W	R331	X-R801R7103J	RC 10K OHM 1/10W
R107	X-R002T4102J	RC 1K OHM 1/4W	R333	X-R801R7103J	RC 10K OHM 1/10W
R108	X-R801R7222J	RC 2.2K OHM 1/10W	R335	X-R002T4221J	RC 220 OHM 1/4W
R109	X-R002T4222J	RC 2.2K OHM 1/4W	R355	X-R801R7562J	RC 5.6K OHM 1/10W
R110	X-R801R7103J	RC 10K OHM 1/10W	R356	X-R801R7562J	RC 5.6K OHM 1/10W
R111	X-R801R7470J	RC 47 OHM 1/10W	R357	X-R002T2151J	RC 150 OHM 1/2W
R112	X-R801R7103J	RC 10K OHM 1/10W	R358	X-R002T2151J	RC 150 OHM 1/2W
R113	X-R801R7103J	RC 10K OHM 1/10W	R360	X-R801R7103J	RC 10K OHM 1/10W
R114	X-R801R7222J	RC 2.2K OHM 1/10W	R361	X-R801R7103J	RC 10K OHM 1/10W
R115	X-R801R7473J	RC 47K OHM 1/10W	R362	X-R801R7103J	RC 10K OHM 1/10W
R116	X-R801R7222J	RC 2.2K OHM 1/10W	R363	X-R801R7103J	RC 10K OHM 1/10W
R117	X-R801R7103J	RC 10K OHM 1/10W	R401	X-R801R7102J	RC 1K OHM 1/10W
R118	X-R801R7103J	RC 10K OHM 1/10W	R402	X-R801R7104J	RC 100K OHM 1/10W
R119	X-R801R7473J	RC 47K OHM 1/10W	R403	X-R801R7331J	RC 330 OHM 1/10W
R121	X-R801R7472J	RC 4.7K OHM 1/10W	R404	X-R002T2221J	RC 220 OHM 1/2W
R122	X-R801R7472J	RC 4.7K OHM 1/10W	R405	X-R801R7562J	RC 5.6K OHM 1/10W
R123	X-R801R7472J	RC 4.7K OHM 1/10W	R406	X-R002T2472J	RC 4.7K OHM 1/2W
R124	X-R801R7473J	RC 47K OHM 1/10W	R407	X-R002T4562J	RC 5.6K OHM 1/4W
R125	X-R801R7473J	RC 47K OHM 1/10W	R408	X-R002T4472J	RC 4.7K OHM 1/4W
R126	X-R801R7272J	RC 2.7K OHM 1/10W	R409	X-R801R7102J	RC 1K OHM 1/10W
R127	X-R801R7102J	RC 1K OHM 1/10W	△ R410	X-R5W1CE332J	R,CEMENT 3.3K OHM 7W
R128	X-R002T4333J	RC 33K OHM 1/4W	R412	X-R801R7822J	RC 8.2K OHM 1/10W
R129	X-R801R7222J	RC 2.2K OHM 1/10W	R413	X-R4X5T6123F	R,METAL 12K OHM 1/6W
R130	X-R801R7821J	RC 820 OHM 1/10W	R414	X-R4X5T6273F	R,METAL 27K OHM 1/6W
R131	X-R002T4103J	RC 10K OHM 1/4W	R415	X-R801R7821J	RC 820 OHM 1/10W
R132	X-R801R7153J	RC 15K OHM 1/10W	R416	X-R3X18A2R2J	R,METAL OXIDE 2.2 OHM 2W
R133	X-R801R7103J	RC 10K OHM 1/10W	R417	X-R801R7333J	RC 33K OHM 1/10W
R134	X-R801R7103J	RC 10K OHM 1/10W	△ R418	X-R4X5T6273F	R,METAL 27K OHM 1/6W
R136	X-R801R7472J	RC 4.7K OHM 1/10W	R421	X-R002T2681J	RC 680 OHM 1/2W
R138	X-R801R7102J	RC 1K OHM 1/10W	△ R422	X-R4X5T4104F	R,METAL 100K OHM 1/4W
R139	X-R002T4102J	RC 1K OHM 1/4W	△ R423	X-R3X18A010J	R,METAL OXIDE 1 OHM 2W
R140	X-R801R7102J	RC 1K OHM 1/10W	R425	X-R002T2681J	RC 680 OHM 1/2W
R141	X-R002T4102J	RC 1K OHM 1/4W	△ R426	X-R4X5T6183F	R,METAL 18K OHM 1/6W
R142	X-R002T4103J	RC 10K OHM 1/4W	R428	X-R002T4101J	RC 100 OHM 1/4W
R143	X-R001T6273J	RC 27K OHM 1/6W	R429	X-R002T2681J	RC 680 OHM 1/2W
R148	X-R002T4102J	RC 1K OHM 1/4W	R430	X-R002T2124J	RC 120K OHM 1/2W
R149	X-R002T4102J	RC 1K OHM 1/4W	△ R431	X-R655812R2J	R,FUSE 2.2 OHM 1W
R150	X-R801R7472J	RC 4.7K OHM 1/10W	R432	X-R002T2822J	RC 8.2K OHM 1/2W
R151	X-R801R7472J	RC 4.7K OHM 1/10W	△ R435	X-R801R7222J	RC 2.2K OHM 1/10W
R152	X-R801R7122J	RC 1.2K OHM 1/10W	△ R436	X-R4X5T6123F	R,METAL 12K OHM 1/6W
R154	X-R801R7103J	RC 10K OHM 1/10W	R437	X-R002T2010J	RC 1 OHM 1/2W
R201	X-R801R7102J	RC 1K OHM 1/10W	△ R438	X-R6358A6R8J	R,FUSE 6.8 OHM 2W
R202	X-R801R7102J	RC 1K OHM 1/10W	△ R439	X-R3X181102J	R,METAL OXIDE 1K OHM 1W
R203	X-R801R7122J	RC 1.2K OHM 1/10W	△ R441	X-R4X5T6222F	R,METAL 2.2K OHM 1/6W
R204	X-R801R7221J	RC 220 OHM 1/10W	R442	X-R801R7182J	RC 1.8K OHM 1/10W
R205	X-R801R7101J	RC 100 OHM 1/10W	R443	X-R002T2683J	RC 68K OHM 1/2W
R207	X-R801R7222J	RC 2.2K OHM 1/10W	△ R500	X-R0G3K2275K	RC 2.7M OHM 1/2W
R209	X-R801R7333J	RC 33K OHM 1/10W	△ R501	X-R5W2CE1R2J	R,CEMENT 1.2 OHM 7W
R210	X-R801R7151J	RC 150 OHM 1/10W	R502	X-R002T2270J	RC 27 OHM 1/2W
R211	X-R801R7222J	RC 2.2K OHM 1/10W	R503	X-R002T4332J	RC 3.3K OHM 1/4W
R212	X-R801R7332J	RC 3.3K OHM 1/10W	R504	X-R801R7681J	RC 680 OHM 1/10W
R213	X-R801R7331J	RC 330 OHM 1/10W	△ R505	X-R3X20B473J	R,METAL 47K OHM 3W
R214	X-R801R7391J	RC 390 OHM 1/10W	R506	X-R002T4222J	RC 2.2K OHM 1/4W
R215	X-R801R7471J	RC 470 OHM 1/10W	R508	X-R002T4222J	RC 2.2K OHM 1/4W
R217	X-R801R7682J	RC 6.8K OHM 1/10W	R509	X-R002T2104J	RC 100K OHM 1/2W
R218	X-R801R7222J	RC 2.2K OHM 1/10W	R510	X-R801R7102J	RC 1K OHM 1/10W
R219	X-R801R7471J	RC 470 OHM 1/10W	R511	X-R801R7223J	RC 22K OHM 1/10W
R220	X-R801R7680J	RC 68 OHM 1/10W	R512	X-R002T4473J	RC 47K OHM 1/4W
R221	X-R002T4221J	RC 220 OHM 1/4W	R513	X-R002T4562J	RC 5.6K OHM 1/4W
R223	X-R801R7151J	RC 150 OHM 1/10W	R514	X-R001T6391J	RC 390 OHM 1/6W
R301	X-R801R7203J	RC 20K OHM 1/10W	R515	X-R002T4103J	RC 10K OHM 1/4W
R302	X-R801R7203J	RC 20K OHM 1/10W	△ R516	X-R3X28BR56J	R,METAL OXIDE 0.56 OHM 3W
R303	X-R801R7203J	RC 20K OHM 1/10W	R519	X-R002T4102J	RC 1K OHM 1/4W
R304	X-R801R7203J	RC 20K OHM 1/10W	R520	X-R002T4391J	RC 390 OHM 1/4W
R305	X-R801R7103J	RC 10K OHM 1/10W	△ R521	X-R3X18A270J	R,METAL OXIDE 27 OHM 2W
R314	X-R801R7822J	RC 8.2K OHM 1/10W	△ R522	X-R3X18A270J	R,METAL OXIDE 27 OHM 2W
R319	X-R801R7472J	RC 4.7K OHM 1/10W	R524	X-R801R7222J	RC 2.2K OHM 1/10W
R320	X-R801R7822J	RC 8.2K OHM 1/10W	R525	X-R801R7103J	RC 10K OHM 1/10W
R321	X-R801R7472J	RC 4.7K OHM 1/10W	R527	X-R002T4223J	RC 22K OHM 1/4W
R322	X-R801R7822J	RC 8.2K OHM 1/10W	R532	X-R801R7332J	RC 3.3K OHM 1/10W

ELECTRICAL REPLACEMENT PARTS LIST

REF. NO.	PART NO.	DESCRIPTION	REF. NO.	PART NO.	DESCRIPTION
RESISTORS			RESISTORS		
R533	X-R801R7182J	RC 1.8K OHM 1/10W	R812	X-R001T6182J	RC 1.8K OHM 1/6W
R534	X-R002T4224J	RC 220K OHM 1/4W	R813	X-R001T6221J	RC 220 OHM 1/6W
△ R542	X-R33681R15J	R,METAL 0.15OHM 1W	R814	X-R001T6221J	RC 220 OHM 1/6W
△ R543	X-R635U2681J	R,FUSE 680 OHM 1/2W	R815	X-R001T6221J	RC 220 OHM 1/6W
R553	X-R002T2223J	RC 22K OHM 1/2W	R816	X-R002T4221J	RC 220 OHM 1/4W
△ R554	X-R002T2223J	RC 22K OHM 1/2W	R817	X-R001T6271J	RC 270 OHM 1/6W
R601	X-R801R7184J	RC 180K OHM 1/10W	R819	X-R001T6271J	RC 270 OHM 1/6W
R602	X-R801R7102J	RC 1K OHM 1/10W	R821	X-R001T6271J	RC 270 OHM 1/6W
R603	X-R801R7332J	RC 3.3K OHM 1/10W	R828	X-R002T4272J	RC 2.7K OHM 1/4W
R604	X-R801R7471J	RC 470 OHM 1/10W	R829	X-R002T4272J	RC 2.7K OHM 1/4W
R605	X-R801R7103J	RC 10K OHM 1/10W	R830	X-R002T4272J	RC 2.7K OHM 1/4W
R607	X-R801R7222J	RC 2.2K OHM 1/10W	R904	X-R801R7471J	RC 470 OHM 1/10W
R608	X-R002T4271J	RC 270 OHM 1/4W	R905	X-R801R7471J	RC 470 OHM 1/10W
R609	X-R801R7101J	RC 100 OHM 1/10W	R906	X-R801R7224J	RC 220K OHM 1/10W
R610	X-R801R7272J	RC 2.7K OHM 1/10W	R907	X-R002T4101J	RC 100 OHM 1/10W
R611	X-R801R7101J	RC 100 OHM 1/10W	R908	X-R002T4101J	RC 100 OHM 1/4W
R612	X-R801R7272J	RC 2.7K OHM 1/10W	R916	X-R801R7475J	RC 4.7M OHM 1/10W
R613	X-R801R7101J	RC 100 OHM 1/10W	R1501	X-R801R7101J	RC 100 OHM 1/10W
R614	X-R801R7272J	RC 2.7K OHM 1/10W	R1502	X-R801R7682J	RC 6.8K OHM 1/10W
R615	X-R801R7182J	RC 1.8K OHM 1/10W	R1503	X-R801R7332J	RC 3.3K OHM 1/10W
R616	X-R801R7101J	RC 100 OHM 1/10W	R1504	X-R801R7102J	RC 1K OHM 1/10W
R617	X-R801R7101J	RC 100 OHM 1/10W	R1505	X-R801R7101J	RC 100 OHM 1/10W
R618	X-R801R7274J	RC 270K OHM 1/10W	R1506	X-R801R7821J	RC 820 OHM 1/10W
R619	X-R801R7333J	RC 33K OHM 1/10W	R1508	X-R801R7470J	RC 47 OHM 1/10W
R624	X-R801R7155J	RC 1.5M OHM 1/10W	R1509	X-R801R7181J	RC 180 OHM 1/10W
R625	X-R801R7154J	RC 150K OHM 1/10W	R1510	X-R801R7273J	RC 27K OHM 1/10W
R631	X-R801R7122J	RC 1.2K OHM 1/10W	R1511	X-R801R7102J	RC 1K OHM 1/10W
R632	X-R801R7154J	RC 150K OHM 1/10W	R1512	X-R801R7102J	RC 1K OHM 1/10W
R637	X-R801R7122J	RC 1.2K OHM 1/10W	R1513	X-R801R7102J	RC 1K OHM 1/10W
R701	X-R801R7221J	RC 220 OHM 1/10W	R1516	X-R801R7102J	RC 1K OHM 1/10W
R702	X-R002T4820J	RC 82 OHM 1/4W	R1517	X-R801R7243J	RC 24K OHM 1/10W
R705	X-R002T4820J	RC 82 OHM 1/4W	R1518	X-R801R7561J	RC 560 OHM 1/10W
R707	X-R002T4820J	RC 82 OHM 1/4W	CAPACITORS		
R708	X-R002T4820J	RC 82 OHM 1/4W	C001	X-CS0RF0414Z	CC 0.01 UF 50V F
R711	X-R801R7392J	RC 3.9K OHM 1/10W	C002	X-E02LT0471M	CE 470 UF 6.3V
R715	X-R801R7102J	RC 1K OHM 1/10W	C003	X-E50HU52R2M	CE 2.2 UF 50V
R716	X-R801R7471J	RC 470 OHM 1/10W	C004	X-P1S3T0223J	CP 0.022 UF 50V
R718	X-R002T4820J	RC 82 OHM 1/4W	C007	X-CS0RF0414Z	CC 0.01 UF 50V F
R719	X-R801R7221J	RC 220 OHM 1/10W	C008	X-CS0RF0414Z	CC 0.01 UF 50V F
R721	X-R801R7102J	RC 1K OHM 1/10W	C101	X-CS0RB04H4K	CC 0.022 UF 50V B
R722	X-R801R7152J	RC 1.5K OHM 1/10W	C107	X-CS0RF0414Z	CC 0.01 UF 50V F
R723	X-R801R7471J	RC 470 OHM 1/10W	C108	X-CS0RB04K2K	CC 270 PF 50V B
R724	X-R801R7332J	RC 3.3K OHM 1/10W	C109	X-CS0RB04K2K	CC 270 PF 50V B
R725	X-R801R7332J	RC 3.3K OHM 1/10W	C111	X-E50HU5010M	CE 1 UF 50V
R726	X-R801R7271J	RC 270 OHM 1/10W	C112	X-CS0RB04H3K	CC 0.0022UF 50V B
R727	X-R801R7102J	RC 1K OHM 1/10W	C113	X-CS0RCH4N1J	CC 39 PF 50V CH
R728	X-R801R7392J	RC 3.9K OHM 1/10W	C114	X-CS0RCH4N1J	CC 39 PF 50V CH
R730	X-R801R7224J	RC 220K OHM 1/10W	C116	X-P6M9T0684J	CMPL 0.68 UF 50V TF
R731	X-R801R7224J	RC 220K OHM 1/10W	C117	X-P6M9T0684J	CMPL 0.68 UF 50V TF
R732	X-R801R7392J	RC 3.9K OHM 1/10W	C118	X-E02LT0222M	CE 2200 UF 6.3V
R734	X-R801R7392J	RC 3.9K OHM 1/10W	C119	X-P6M9T0684J	CMPL 0.68 UF 50V TF
R736	X-R801R7102J	RC 1K OHM 1/10W	C120	X-CS0RB0216K	CC 1 UF 16V B
R737	X-R801R7224J	RC 220K OHM 1/10W	C121	X-CS0RCH422J	CC 200 PF 50V CH
R738	X-R801R7224J	RC 220K OHM 1/10W	C122	X-E50HU5010M	CE 1 UF 50V
R739	X-R801R7392J	RC 3.9K OHM 1/10W	C123	X-E50HU2100M	CE 10 UF 16V
R740	X-R801R7392J	RC 3.9K OHM 1/10W	C124	X-CS0RB0315K	CC 0.1 UF 25V B
R743	X-R002T4820J	RC 82 OHM 1/4W	C128	X-CS0RB0413K	CC 0.001 UF 50V B
R747	X-R801R7750J	RC 75 OHM 1/10W	C132	X-CS0RCH4W2J	CC 820 PF 50V CH
R750	X-R801R7750J	RC 75 OHM 1/10W	C136	X-CS0RCH4H1J	CC 22 PF 50V CH
R751	X-R801R7102J	RC 1K OHM 1/10W	C137	X-CS0RCH4H1J	CC 22 PF 50V CH
R752	X-R801R7102J	RC 1K OHM 1/10W	C138	X-CS0RF0414Z	CC 0.01 UF 50V F
R755	X-R801R7750J	RC 75 OHM 1/10W	C140	X-CQGTCH4N1J	CC 39 PF 50V CH
R756	X-R801R7471J	RC 470 OHM 1/10W	C141	X-E50HU0330M	CE 33 UF 6.3V
R757	X-R801R7471J	RC 470 OHM 1/10W	C201	X-CS0RF0414Z	CC 0.01 UF 50V F
R758	X-R801R7471J	RC 470 OHM 1/10W	C202	X-CS0RF0414Z	CC 0.01 UF 50V F
R778	X-R002T4103J	RC 10K OHM 1/4W	C203	X-E02LT2101M	CE 100 UF 16V
R781	X-R801R7122J	RC 1.2K OHM 1/10W	C204	X-E50HU2100M	CE 10 UF 16V
R786	X-R002T4101J	RC 100 OHM 1/4W	C205	X-CS0RCH430C	CC 3 PF 50V CH
R801	X-R002T4101J	RC 100 OHM 1/4W	C206	X-CS0RB0315K	CC 0.1 UF 25V B
R802	X-R002T4101J	RC 100 OHM 1/4W	C207	X-CS0RCH450C	CC 5 PF 50V CH
R803	X-R002T4101J	RC 100 OHM 1/4W	C208	X-CS0RF0414Z	CC 0.01 UF 50V F
△ R804	X-R3X18A123J	R,METAL OXIDE 12K OHM 2W	C209	X-E50HU5R47M	CE 0.47 UF 50V
△ R806	X-R3X18A123J	R,METAL OXIDE 12K OHM 2W	C210	X-CS0RB04H3K	CC 0.0022UF 50V B
△ R808	X-R3X18A123J	R,METAL OXIDE 12K OHM 2W	C211	X-E50HU5R22M	CE 0.22 UF 50V F
R809	X-R002T4101J	RC 100 OHM 1/4W	C212	X-CS0RB0315K	CC 0.1 UF 25V B
R810	X-R001T6182J	RC 1.8K OHM 1/6W	C213	X-E02LU1101M	CE 100 UF 10V
R811	X-R001T6182J	RC 1.8K OHM 1/6W	C214	X-E50HU2100M	CE 10 UF 16V

ELECTRICAL REPLACEMENT PARTS LIST

REF. NO.	PART NO.	DESCRIPTION	REF. NO.	PART NO.	DESCRIPTION
CAPACITORS			CAPACITORS		
C215	X-CS0RCH4L1J	CC 33 PF 50V CH	C504	X-E50HU5010M	CE 1 UF 50V
C216	X-E50HU2100M	CE 10 UF 16V	△ C505	X-P2472B104M	CMP 0.1 UF 275V PHE840
C218	X-CS0RF0414Z	CC 0.01 UF 50V F	△ C506	X-P2472B104M	CMP 0.1 UF 275V PHE840
C220	X-CS0RF0415Z	CC 0.1 UF 50V F	△ C507	X-E52SFC331M	CE 330 UF 200V
C221	X-CS0RF0414Z	CC 0.01 UF 50V F	C509	X-CS0RB04S3K	CC 0.0056UF 50V B
C222	X-CS0RF0414Z	CC 0.01 UF 50V F	△ C510	X-E5E2T4101M	CE 100 UF 35V
C227	X-CS0RCH413J	CC 0.001 UF 50V CH	C511	X-CS0RB04H2K	CC 220 PF 50V B
C302	X-E02LT1101M	CE 100 UF 10V	C512	X-CS0RB04Q2K	CC 470 PF 50V B
C303	X-E02LU2470M	CE 47 UF 16V	△ C513	X-C034E0J13M	CC 0.001 UF 125V MX
C304	X-E62KU52R2M	CE 2.2 UF 50V	△ C514	X-C034E0J13M	CC 0.001 UF 125V MX
C305	X-E62KU52R2M	CE 2.2 UF 50V	C517	X-C0JLYR7H3K	CC 0.0022UF 2KV YR
C306	X-CS0RB04L3K	CC 0.0033UF 50V B	△ C519	X-C034E0J13M	CC 0.001 UF 125V MX
C307	X-CS0RB04L3K	CC 0.0033UF 50V B	△ C522	X-C034E0J13M	CC 0.001 UF 125V MX
C308	X-CS0RB04L4K	CC 0.033 UF 50V B	△ C523	X-E62NFB101M	CE 100 UF 160V
C309	X-CS0RB04L4K	CC 0.033 UF 50V B	C524	X-CS0RB04E3K	CC 0.0015UF 50V B
C310	X-E50HU2100M	CE 10 UF 16V	C525	X-E5E2T82R2M	CE 2.2 UF 100V
C311	X-E50HT2100M	CE 10 UF 16V	△ C527	X-E5EZF2102M	CE 1000 UF 16V
C312	X-E50HU2100M	CE 10 UF 16V	C529	X-E5EZF5100M	CE 10 UF 50V
C313	X-E02LT2101M	CE 100 UF 16V	C530	X-E02LT1471M	CE 470 UF 10V
C314	X-E50HU2100M	CE 10 UF 16V	△ C531	X-E5E2T2471M	CE 470 UF 16V
C325	X-CS0RB0414K	CC 0.01 UF 50V B	C532	X-E02LT0102M	CE 1000 UF 6.3V
C326	X-E50HU2470M	CE 47 UF 16V	C533	X-E50HU2100M	CE 10 UF 16V
C328	X-E50HU52R2M	CE 2.2 UF 50V	C535	X-C0JLYR7H3K	CC 0.0022UF 2KV YR
C329	X-E50HU52R2M	CE 2.2 UF 50V	C536	X-C0JLYR713K	CC 0.001 UF 2KV YR
C330	X-CS0RF04H4Z	CC 0.022 UF 50V F	C554	X-CS0RB04H3K	CC 0.0022UF 50V B
C331	X-CS0RF04H4Z	CC 0.022 UF 50V F	C601	X-CS0RB0315K	CC 0.1 UF 25V B
C332	X-CS0RB02Q5K	CC 0.47 UF 16V B	C602	X-CS0RB0315K	CC 0.1 UF 25V B
C333	X-CS0RB02Q5K	CC 0.47 UF 16V B	C604	X-E50HU5010M	CE 1 UF 50V
C334	X-CS0RB04L4K	CC 0.033 UF 50V B	C605	X-CS0RB0315K	CC 0.1 UF 25V B
C335	X-CS0RB04L4K	CC 0.033 UF 50V B	C606	X-CS0RB0315K	CC 0.1 UF 25V B
C336	X-CS0RCH412J	CC 100 PF 50V CH	C607	X-CS0RF0414Z	CC 0.01 UF 50V F
C337	X-CS0RCH412J	CC 100 PF 50V CH	C608	X-E50HU5010M	CE 1 UF 50V
C338	X-CS0RB0413K	CC 0.001 UF 50V B	C609	X-CS0RB0314K	CC 0.01 UF 25V B
C339	X-CS0RB0414K	CC 0.01 UF 50V B	C611	X-P232T0474J	CMP 0.47 UF 50V MMTV
C351	X-E02LT1101M	CE 100 UF 10V	C612	X-E50HU52R2M	CE 2.2 UF 50V
C352	X-CS0RB0216K	CC 1 UF 16V B	C615	X-E02LU1101M	CE 100 UF 10V
C353	X-CS0RB0216K	CC 1 UF 16V B	C616	X-E50HU2470M	CE 47 UF 16V
C363	X-CS0RB0216K	CC 1 UF 16V B	C617	X-CS0RF0414Z	CC 0.01 UF 50V F
C364	X-E02LT4101M	CE 100 UF 35V	C618	X-CS0RF0414Z	CC 0.01 UF 50V F
C365	X-CS0RB0216K	CC 1 UF 16V B	C619	X-E02LT0471M	CE 470 UF 6.3V
C366	X-E524U52R2D	CE 2.2 UF 50V	C620	X-CS0RB0315K	CC 0.1 UF 25V B
C367	X-E02LT4471M	CE 470 UF 35V	C621	X-CS0RB0315K	CC 0.1 UF 25V B
C368	X-E5EZF3102M	CE 1000 UF 25V	C622	X-CS0RB0315K	CC 0.1 UF 25V B
C369	X-E5EZF3102M	CE 1000 UF 25V	C623	X-CS0RF0414Z	CC 0.01 UF 50V F
C380	X-CS0RB0414K	CC 0.01 UF 50V B	C624	X-E02LU1101M	CE 100 UF 10V
C384	X-CS0RB0414K	CC 0.01 UF 50V B	C625	X-E00NU54R7M	CE 4.7 UF 50V
C401	X-C0JTL5H1K	CC 22 PF 500V SL	C626	X-CS0RB04B4K	CC 0.012 UF 50V B
C402	X-C0JTB05H3K	CC 0.0022UF 500V B	C627	X-CS0RCH480D	CC 8 PF 50V CH
C403	X-E5E2TB4R7M	CE 4.7 UF 160V	C629	X-CS0RB04H3K	CC 0.0022UF 50V B
C405	X-CS0RCH4W2J	CC 820 PF 50V CH	C630	X-E50HU5R22M	CE 0.22 UF 50V
C406	X-E02LT5010M	CE 1 UF 50V	C631	X-CS0RCH4N1J	CC 39 PF 50V CH
C407	X-E02LT4101M	CE 100 UF 35V	C632	X-CS0RCH4N1J	CC 39 PF 50V CH
△ C408	X-E5EZF3102M	CE 1000 UF 25V	C633	X-CS0RB0315K	CC 0.1 UF 25V B
C409	X-E02LT5100M	CE 10 UF 50V	C634	X-CS0RB03H5K	CC 0.22 UF 25V B
C411	X-C0JTL5H1J	CC 22 PF 500V SL	C636	X-CS0RB0315K	CC 0.1 UF 25V B
C412	X-E53FF56R8K	CE 6.8 UF 50V NP	C637	X-CS0RCH430C	CC 3 PF 50V CH
△ C413	X-E0ELF4222M	CE 2200 UF 35V	C638	X-CS0RCH412J	CC 100 PF 50V CH
C414	X-P235W1104J	CMP 0.1 UF 100V MKT	C640	X-E02LT1102M	CE 1000 UF 10V
C415	X-C0JTB05H2K	CC 220 PF 500V B	C642	X-E00NU53R3M	CE 3.3 UF 50V
C416	X-C0JTB05Q2K	CC 470 PF 500V B	C644	X-CQGTB0414K	CC 0.01 UF 50V B
C417	X-P235W1224J	CMP 0.22 UF 100V MKT	C703	X-CS0RB04S3K	CC 0.0056UF 50V B
C418	X-P411F4224F	CMPP 0.22 UF 400V ECWF	C705	X-E00NU2470M	CE 47 UF 16V
C419	X-C0JTB0513K	CC 0.001 UF 500V B	C706	X-CS0RCH480D	CC 8 PF 50V CH
△ C420	X-P4N8FJ682H	CMPP 0.0068UF 1.25KV	C708	X-CS0RB04S3K	CC 0.0056UF 50V B
C422	X-P411F4224J	CMPP 0.22 UF 400V ECWF	C711	X-E02LU2101M	CE 100 UF 16V
△ C423	X-P4N8FJ562H	CMPP 0.0056UF 1.25KV	C713	X-E50HU2100M	CE 10 UF 16V
△ C424	X-P3N1F5333J	CC 0.033 UF 630V	C714	X-E50HU2100M	CE 10 UF 16V
C425	X-C03L0R713K	CC 0.001 UF 2KV R	C715	X-E02LT2471M	CE 470 UF 16V
C426	X-E5E20D100M	CE 10 UF 250V	C717	X-CS0RCH4L1J	CC 33 PF 50V CH
C427	X-P235W1224J	CMP 0.22 UF 100V MKT	C720	X-CS0RCH4L1J	CC 33 PF 50V CH
△ C430	X-E02LT8220M	CE 22 UF 100V	C722	X-CS0RB0216K	CC 1 UF 16V B
C436	X-E5E2T2470M	CE 47 UF 16V	C723	X-CS0RCH4W1J	CC 82 PF 50V CH
C438	X-CS0RB0413K	CC 0.001 UF 50V B	C724	X-E50HU5010M	CE 1 UF 50V
C439	X-CHGTB0413K	CC 0.001 UF 50V B	C725	X-E50HU5010M	CE 1 UF 50V
△ C501	X-E0ELF4222M	CE 2200 UF 35V	C726	X-CS0RB04S3K	CC 0.0056UF 50V B
△ C502	X-C0JBB0713K	CC 0.001 UF 2KV B	C727	X-CS0RB04S3K	CC 0.0056UF 50V B
△ C503	X-C0JBB0713K	CC 0.001 UF 2KV B	C728	X-E50HU5010M	CE 1 UF 50V

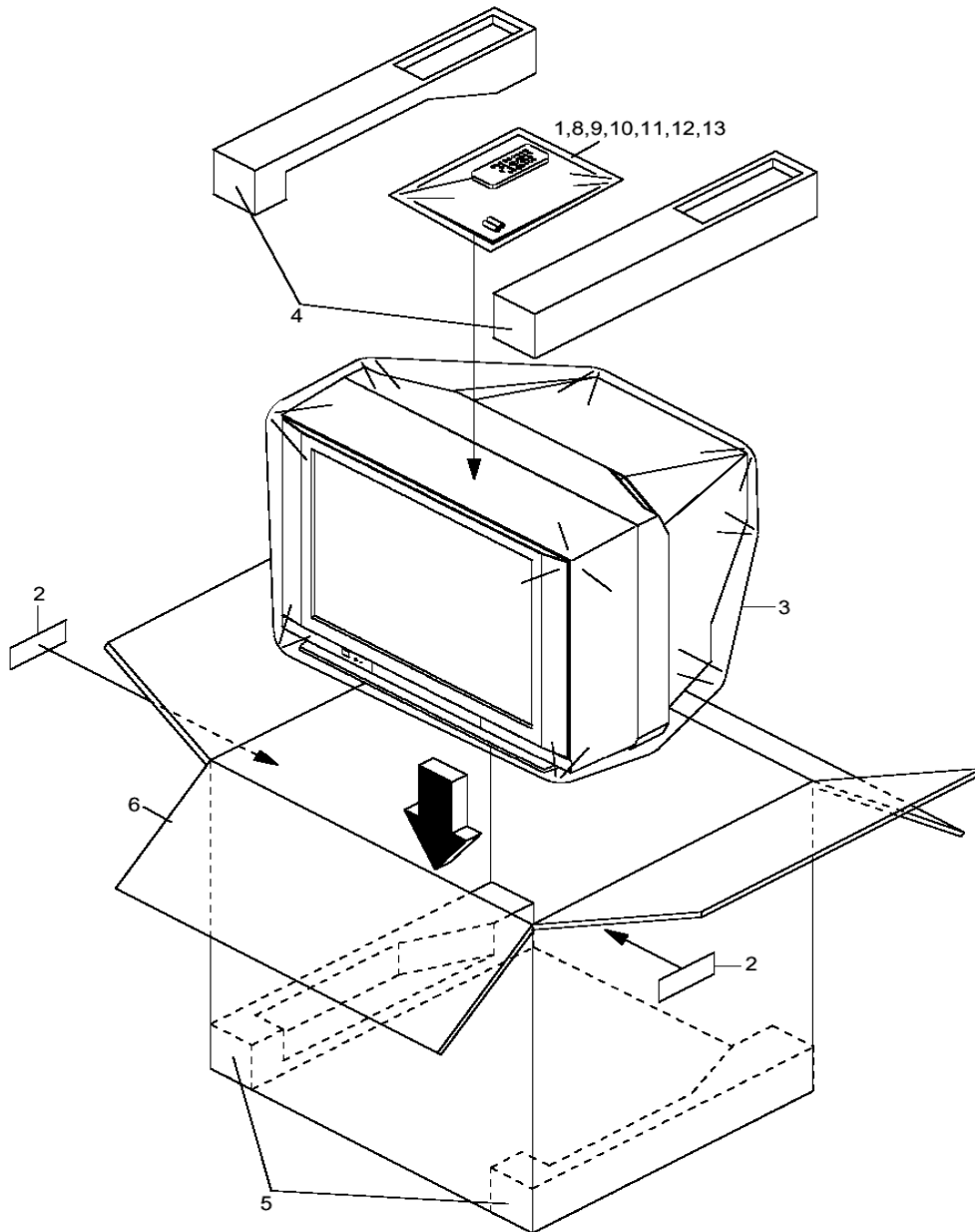
ELECTRICAL REPLACEMENT PARTS LIST

REF. NO.	PART NO.	DESCRIPTION	REF. NO.	PART NO.	DESCRIPTION
CAPACITORS			DIODES		
C729	X-E00NU5R47M	CE 0.47 UF 50 V	D106	X-DD7R0S3550	DIODE,SILICON 1SS355 TE-17
C730	X-E50HU50R1M	CE 0.1 UF 50 V	D107	X-D1VT001330	DIODE,SILICON 1SS133T-77
C731	X-CS0RF0414Z	CC 0.01 UF 50V F	D109	X-0021721150	LED SLR-342VCT32
C733	X-E02LT2101M	CE 100 UF 16V	D201	X-D97U01201B	DIODE,ZENER MTZJ12B T-77
C734	X-CS0RF0414Z	CC 0.01 UF 50V F	△ D401	X-D97U02701B	DIODE,ZENER MTZJ27B T-77
C735	X-E50HU2220M	CE 22 UF 16 V	D402	X-D2WT011E10	DIODE,SILICON 11E1-EIC
C737	X-E50HU5010M	CE 1 UF 50V	D404	X-D97U09R11B	DIODE,ZENER MTZJ9.1B T-77
C738	X-E50HU52R2M	CE 2.2 UF 50V	△ D405	X-D2WTAU02A0	DIODE,SILICON AU02A-EIC
C739	X-E50HU5010M	CE 1 UF 50V	△ D406	X-D97U01101B	DIODE,ZENER MTZJ11B T-77
C740	X-E50HU52R2M	CE 2.2 UF 50V	△ D407	X-D2WTAU02A0	DIODE,SILICON AU02A-EIC
C741	X-E50HU53R3M	CE 3.3 UF 50V	△ D408	X-D2BFRS4FS0	DIODE,SILICON RS-4FS
C742	X-CS0RB04S3K	CC 0.0056UF 50V B	△ D409	X-D2BFRU4AM0	DIODE,SILICON RU-4AM
C743	X-E50HU52R2M	CE 2.2 UF 50V	△ D411	X-D2WTAU02A0	DIODE,SILICON AU02A-EIC
C744	X-E50HU52R2M	CE 2.2 UF 50V	△ D501	X-D2WTRM11C0	DIODE,SILICON RM11C-EIC
C745	X-E50HU52R2M	CE 2.2 UF 50V	△ D502	X-D2WTRM11C0	DIODE,SILICON RM11C-EIC
C746	X-CS0RB04S3K	CC 0.0056UF 50V B	△ D503	X-D2WTRM11C0	DIODE,SILICON RM11C-EIC
C747	X-E50HU52R2M	CE 2.2 UF 50V	△ D504	X-D2WTRM11C0	DIODE,SILICON RM11C-EIC
C748	X-CS0RB0315K	CC 0.1 UF 25V B	△ D505	X-D28F30DF60	DIODE,RECTIFIER 30DF6-FC
C750	X-CS0RB0216K	CC 1 UF 16V B	△ D506	X-D2WXN49370	DIODE,SILICON 1N4937
C783	X-E02LT1471M	CE 470 UF 10V	D507	X-D1VT001330	DIODE,SILICON 1SS133T-77
C784	X-E50HU52R2M	CE 2.2 UF 50V	D508	X-D1VT001330	DIODE,SILICON 1SS133T-77
C785	X-E50HU52R2M	CE 2.2 UF 50V	△ D510	X-D28F30DF60	DIODE,RECTIFIER 30DF6-FC
C793	X-CS0RCH4L1J	CC 33 PF 50V CH	D511	X-D2WXN49370	DIODE,SILICON 1N4937
C804	X-CQGTCH4Q2J	CC 470 PF 50V CH	△ D512	X-D2WXB290S0	DIODE,SILICON SB290S
C805	X-CQGTCH4U2J	CC 680 PF 50V CH	D513	X-D97U05R61B	DIODE,ZENER MTZJ5.6B T-77
C806	X-CQGTCH4S2J	CC 560 PF 50V CH	△ D514	X-D2WXB290S0	DIODE,SILICON SB290S
C808	X-C0JBB0713K	CC 0.001 UF 2KV B	D515	X-D2BTRU2YX0	DIODE,SILICON RU2YX-V1
C809	X-E02LT2D2R2M	CE 2.2 UF 250V	D516	X-D1VT001330	DIODE,SILICON 1SS133T-77
C813	X-P1S3T0222J	CP 0.0022UF 50V	D517	X-D1VT001330	DIODE,SILICON 1SS133T-77
C823	X-CHGTB04H2K	CC 220 PF 50V B	D518	X-D1VT001330	DIODE,SILICON 1SS133T-77
C917	X-E50HU54R7M	CE 4.7 UF 50V	D519	X-D1VT001330	DIODE,SILICON 1SS133T-77
C918	X-E50HU54R7M	CE 4.7 UF 50V	D520	X-D1VT001330	DIODE,SILICON 1SS133T-77
C919	X-E50HU52R2M	CE 2.2 UF 50V	△ D521	X-D1VT001330	DIODE,SILICON 1SS133T-77
C921	X-E50HT5100M	CE 10 UF 50 V	D525	X-D97U05R11B	DIODE,ZENER MTZJ5.1B T-77
C922	X-CS0RB04H4K	CC 0.022 UF 50V B	D528	X-D97U05R61B	DIODE,ZENER MTZJ5.6B T-77
C924	X-E02LU1101M	CE 100 UF 10V	D602	X-D97U06R21B	DIODE,ZENER MTZJ6.2B T-77
C925	X-E50HU5R33M	CE 0.33 UF 50 V	D603	X-D97U06R21B	DIODE,ZENER MTZJ6.2B T-77
C926	X-CS0RB04Q4K	CC 0.047 UF 50V B	D604	X-D97U06R21B	DIODE,ZENER MTZJ6.2B T-77
C927	X-CS0RB04H4K	CC 0.022 UF 50V B	D605	X-D2WT011E10	DIODE,SILICON 11E1-EIC
C928	X-CS0RB0315K	CC 0.1 UF 25V B	D611	X-D1VT001330	DIODE,SILICON 1SS133T-77
C929	X-E50HT53R3M	CE 3.3 UF 50 V	D613	X-D1VT001330	DIODE,SILICON 1SS133T-77
C930	X-CS0RB0315K	CC 0.1 UF 25V B	D614	X-D1VT001330	DIODE,SILICON 1SS133T-77
C931	X-CS0RB0315K	CC 0.1 UF 25V B	D711	X-D97U06R21B	DIODE,ZENER MTZJ6.2B T-77
C932	X-CS0RB0315K	CC 0.1 UF 25V B	D801	X-D1VT001330	DIODE,SILICON 1SS133T-77
C935	X-E50HT54R7M	CE 4.7 UF 50 V	D802	X-D1VT001330	DIODE,SILICON 1SS133T-77
C959	X-CS0RB0414K	CC 0.01 UF 50V B	D803	X-D1VT001330	DIODE,SILICON 1SS133T-77
C965	X-CS0RB0414K	CC 0.01 UF 50V B	ICS		
C966	X-CS0RB0414K	CC 0.01 UF 50V B	IC101	X-I56D07055B	IC OEC7055B
C967	X-CS0RB0414K	CC 0.01 UF 50V B	IC103	X-I9UJ0T600C	IC PST600C
C1501	X-CS0RB0315K	CC 0.1 UF 25V B	IC199	X-A3J707B015	IC S-24C08ADPA-01
C1503	X-CS0RCH412J	CC 100 PF 50V CH	IC201	X-I05DC12530	IC TB1253N
C1504	X-CS0RCH4S1J	CC 56 PF 50V CH	IC301	X-I0QF021500	IC NJM2150AM
C1505	X-CS0RB0315K	CC 0.1 UF 25V B	IC303	X-I06DF62420	IC M62420SP
C1506	X-CS0RB0414K	CC 0.01 UF 50V B	△ IC353	X-I0FSP52760	IC AN5276
C1507	X-CS0RB0414K	CC 0.01 UF 50V B	△ IC401	X-I01TD55220	IC AN5522
C1508	X-CS0RCH4K1J	CC 27 PF 50V CH	△ IC501	X-I2BT066230	IC STR-G6623
C1509	X-CS0RB0414K	CC 0.01 UF 50V B	△ IC502	X-I1KA97809A	IC KIA7809API
C1510	X-CS0RB0414K	CC 0.01 UF 50V B	△ IC503	X-I1KA97805A	IC KIA7805API
C1511	X-E50HU5R47M	CE 0.47 UF 50V	IC701	X-I0UD013110	IC MM1311AD
C1512	X-CS0RB0414K	CC 0.01 UF 50V B	IC902	X-I01FF58290	IC AN5829S
C1513	X-CS0RB0414K	CC 0.01 UF 50V B	IC1501	X-I05FE90A45	IC TC90A45F
C1514	X-CS0RB0414K	CC 0.01 UF 50V B	TRANSISTORS		
C1515	X-CS0RCH4G2J	CC 180 PF 50V CH	Q101	X-T8YJ2412K0	TRANSISTOR,SILICON 2SC2412KT146 R,S
C1516	X-CS0RCH412J	CC 100 PF 50V CH	Q102	X-T8YJ2412K0	TRANSISTOR,SILICON 2SC2412KT146 R,S
C1517	X-E02LT0471M	CE 470 UF 6.3V	Q103	X-TNAAB05003	COMPOUND TRANSISTOR KRC102RTK
C1519	X-CS0RB0414K	CC 0.01 UF 50V B	Q104	X-TNAAJ05003	COMPOUND TRANSISTOR KRC111RTK
C1520	X-E50HU0101M	CE 100 UF 6.3V	Q105	X-TPAAB05001	COMPOUND TRANSISTOR KRA102SRTK
C1521	X-CS0RB0414K	CC 0.01 UF 50V B	Q107	X-T8YJ2412K0	TRANSISTOR,SILICON 2SC2412KT146 R,S
C1522	X-CS0RB0315K	CC 0.1 UF 25V B	Q108	X-T8YJ2412K0	TRANSISTOR,SILICON 2SC2412KT146 R,S
C1525	X-E50HU53R3M	CE 3.3 UF 50V	Q109	X-T8YJ2412K0	TRANSISTOR,SILICON 2SC2412KT146 R,S
C1528	X-CS0RCH4H1J	CC 22 PF 50V CH	Q201	X-T8YJ2412K0	TRANSISTOR,SILICON 2SC2412KT146 R,S
C1532	X-E00NU5010M	CE 1 UF 50 V	Q202	X-T8YJ2412K0	TRANSISTOR,SILICON 2SC2412KT146 R,S
D001	X-D97U03301B	DIODE,ZENER MTZJ33B T-77	Q203	X-T6YJ1037K0	TRANSISTOR,SILICON 2SA1037AKT146R,S
D102	X-D1VT001330	DIODE,SILICON 1SS133T-77	Q204	X-T83A028140	TRANSISTOR,SILICON 2SC2814(F3,F4)-T
D103	X-D1VT001330	DIODE,SILICON 1SS133T-77	Q351	X-TNAAJ05003	COMPOUND TRANSISTOR KRC111RTK
D104	X-D1VT001330	DIODE,SILICON 1SS133T-77	Q401	X-TA5T010154	TRANSISTOR,SILICON 2SA1015Y(TPE)2
			△ Q402	X-TC3Q026210	TRANSISTOR,SILICON 2SC2621(D,E)-RAC

ELECTRICAL REPLACEMENT PARTS LIST

REF. NO.	PART NO.	DESCRIPTION	REF. NO.	PART NO.	DESCRIPTION
TRANSISTORS			P.C. BOARD ASSEMBLIES		
Q403	X-TA5T010154	TRANSISTOR,SILICON 2SA1015Y(TPE2)	PCB010	X-A3J7071010	PCB TMA510A
Q404	X-TC30041590	TRANSISTOR,SILICON 2SC4159(D,E)	PCB060	X-A3J7071060	PCB TEXA52A
△ Q405	X-TDUU024990	TRANSISTOR,SILICON 2SD2499(LB0EC1)	PCB110	X-A3J7071110	PCB TCA365A
Q406	X-TPAAD05003	COMPOUND TRANSISTOR KRA104RTK	PCB330	X-A3J7071330	PCB TEAA76A
△ Q501	X-TD3T007340	TRANSISTOR,SILICON 2SD734(E,F)-AA	MISCELLANEOUS		
△ Q502	X-0002E00610	PHOTO COUPLER LTV-817M-VB	B501	X-024HT03564	CORE,BEADS W4BRH3.5X6X1
Q504	X-TC5T018154	TRANSISTOR,SILICON 2SC1815Y(TPE2)	B502	X-024HT03563	CORE,BEADS W4BRH3.5X6X1.0X2
△ Q505	X-TA3T01624E	COMPOUND TRANSISTOR 2SA1624E-AA	B504	X-024HT03553	CORE,BEADS W5RH3.5X5X1.0
Q506	X-TNAAJ05003	COMPOUND TRANSISTOR KRC111RTK	B505	X-024HT03563	CORE,BEADS W4BRH3.5X6X1.0X2
△ Q507	X-TC5T018154	TRANSISTOR,SILICON 2SC1815Y(TPE2)	CD351	X-06CH146801	CORD,CONNECTOR CH146801
△ Q508	X-TAAT01273Y	TRANSISTOR,SILICON KTA1273_Y	△ CD501	X-120R614902	CORD,AC BUSH U4N 0R614902
Q509	X-TNAAB05003	COMPOUND TRANSISTOR KRC102RTK	CD801	X-WDL6036038	FLAT CABLE AWM2468 A WG26 6C BLACK 360MM
△ Q510	X-TD3T007340	TRANSISTOR,SILICON 2SD734(E,F)-AA	CD802	X-WEL6858038	FLAT CABLE AWM2468 A WG26 7C GRAY 580MM
Q604	X-TNAAJ05003	COMPOUND TRANSISTOR KRC111RTK	△ CD803	X-06CP82035A	CORD,CONNECTOR CP82035A
Q701	X-T8YJ2412K0	TRANSISTOR,SILICON 2SC2412KT146 R,S	CF201	X-1011T4R504	FILTER,CERAMIC EFCT4R5YS5A
Q704	X-T8YJ2412K0	TRANSISTOR,SILICON 2SC2412KT146 R,S	CF202	X-1022T45R73	FILTER,SAW SAFGP45M7VHCZR
Q705	X-T8YJ2412K0	TRANSISTOR,SILICON 2SC2412KT146 R,S	CF203	X-1011T4R517	FILTER,CERAMIC EFCT4R5MW5
Q709	X-T6YJ1037K0	TRANSISTOR,SILICON 2SA1037AKT146R,S	CF204	X-1012T04702	FILTER,CERAMIC TRAP MKT47.3MC110P-TF
△ Q801	X-TC3Q026210	TRANSISTOR,SILICON 2SC2621(D,E)-RAC	CP101	X-0694260139	CONNECTOR PCB SIDE 173979-6
△ Q802	X-TC3Q026210	TRANSISTOR,SILICON 2SC2621(D,E)-RAC	CP351	X-069W14T299	CONNECTOR PCB SIDE TID-X04P-Z1
△ Q803	X-TC3Q026210	TRANSISTOR,SILICON 2SC2621(D,E)-RAC	△ CP401	X-069X460029	CONNECTOR PCB SIDE B06B-DVS
△ Q810	X-TCYT1740S0	TRANSISTOR,SILICON 2SC1740SP(R,S) TP	△ CP501	X-069S320419	CONNECTOR PCB SIDE A3963VV2-3PD
△ Q811	X-TCYT1740S0	TRANSISTOR,SILICON 2SC1740SP(R,S) TP	△ CP502	X-069S420110	CONNECTOR PCB SIDE A1561VV2-2P
△ Q812	X-TCYT1740S0	TRANSISTOR,SILICON 2SC1740SP(R,S) TP	CP503	X-069W010010	CONNECTOR PCB SIDE 005P-2100
Q1501	X-T8YJ2412K0	TRANSISTOR,SILICON 2SC2412KT146 R,S	CP504	X-069W010010	CONNECTOR PCB SIDE 005P-2100
Q1502	X-T6YJ1037K0	TRANSISTOR,SILICON 2SA1037AKT146R,S	CP801	X-069R260589	CONNECTOR PCB SIDE 52147-0610
Q1503	X-T8YJ2412K0	TRANSISTOR,SILICON 2SC2412KT146 R,S	CP802	X-069R270589	CONNECTOR PCB SIDE 52147-0710
Q1504	X-T8YJ2412K0	TRANSISTOR,SILICON 2SC2412KT146 R,S	CP803	X-069S320010	CONNECTOR PCB SIDE A2361VV2-2P
COILS & TRANSFORMERS			CP804	X-069W010010	CONNECTOR PCB SIDE 005P-2100
L101	X-021LA62R7K	COIL 2.7 UH	CD701A	X-06CH243001	CORD,CONNECTOR CH243001
L201	X-02167F101J	COIL 100 UH	CP1501	X-069J160260	CONNECTOR PCB SIDE 6035B-06Z002-T
L202	X-02161CR82M	COIL 0.82 UH	CP1501B	X-069J160260	CONNECTOR PCB SIDE 6035B-06Z002-T
L203	X-021LA62R2K	COIL 2.2 UH	CP801A	X-067U006049	WIRE HOLDER B2013H02-6P
L204	X-021LA6120K	COIL 12 UH	CP802A	X-067U007029	WIRE HOLDER B2013H02-7P
L205	X-021673470K	COIL 47 UH	EL001	X-124120301A	EYE LET XRY20X30BD
L301	X-021LA6470K	COIL 47 UH	EL002	X-124116281A	EYE LET XRY16X28BD
L302	X-021LA6220K	COIL 22 UH	△ FB401	X-081PC6R304	FUSE 51MS063LCC
L401	X-02D1000001	COIL ELC16B501EN	△ FB501	X-043214032R	TRANSFORMER,FLYBACK 3214032R
L402	X-0221000013	COIL,LINEARITY ELH5L4112N	FH501	X-06710T0006	HOLDER,FUSE EYF-52BC
△ L501	X-029T000097	COIL,LINE FILTER 1R5A123F28Y	FH502	X-06710T0006	HOLDER,FUSE EYF-52BC
△ L503	X-028R140023	COIL,DEGAUSS 8R140023	OS101	X-077Q014003	REMOTE RECEIVER PIC-281435Y-2
L505	X-021673101K	COIL 100 UH	△ RY501	X-0560V20115	RELAY ALKS321
L601	X-021673470K	COIL 47 UH	△ SP351	X-070C533008	SPEAKER 810-47-171
L602	X-021673101K	COIL 100 UH	△ SP352	X-070C533008	SPEAKER 810-47-171
L603	X-021673470K	COIL 47 UH	△ TH501	X-DF40B3R0Q0	DEGAUSS ELEMENT PTBD14K2-3R0Q141
L604	X-021673470K	COIL 47 UH	△ TU001	X-0145K00055	TUNER,VHF-UHF TECC1040PG32D
L701	X-021673101J	COIL 100 UH	△ V801	X-09811404B8	CRT W/DY A36LTN194X81
L810	X-02AHB9A972	CORE,FERRITE W5T29X7.5X19	X101	X-100CT8R005	CRYSTAL HC-49/U-S
L901	X-021LA6220K	COIL 22 UH	X601	X-100CT3R505	CRYSTAL HC-49/C
L1501	X-02167F100J	COIL 10 UH	RESISTOR		
L1502	X-02167F150J	COIL 15 UH	RC.....	CARBON RESISTOR	
L1503	X-021673821K	COIL 820 UH	CAPACITORS		
L1504	X-02167F101J	COIL 100 UH	CC.....	CERAMIC CAPACITOR	
L1506	X-02167F220J	COIL 22 UH	CE.....	ALUMI ELECTROLYTIC CAPACITOR	
T401	X-045013001J	TRANS,H. DRIVE 5013001	CP.....	POLYESTER CAPACITOR	
△ T501	X-0481400614	TRANS.SWITCHING 81400614	CPP.....	POLYPROPYLENE CAPACITOR	
JACKS			CPL.....	PLASTIC CAPACITOR	
△ J351	X-0602131011	HEADPHONE JACK HSJ2000-01-010	CMP.....	METAL POLYESTER CAPACITOR	
J701	X-0602431011	JACK,RCA JPJ4312-01-432	CMPL.....	METAL PLASTIC CAPACITOR	
J702	X-063Q700002	JACK YKF51-5503	CMPP.....	METAL POLYPROPYLENE CAPACITOR	
J703	X-0602431011	JACK,RCA JPJ4312-01-432	REMOTE CONTROL UNIT PARTS LIST(RM-C309G)		
J704	X-060X411015	RCA JACK JPJ4311-011852	PARTS NO.	PARTS NAME	
J705	X-0602431011	JACK,RCA JPJ4312-01-432	UR52EC1286C	BATTERY COVER	
J710	X-060G401047	RCA JACK HTJ-032-03AY			
J711	X-060G401046	RCA JACK HTJ-032-03AW			
J712	X-060G401039	RCA JACK HTJ-032-03AR			
△ J801	X-066X120014	CRT SOCKET HPS3200-010501			
SWITCHES					
SW101	X-0504201T31	SWITCH,TACT SKHVBED010			
SW102	X-0504201T31	SWITCH,TACT SKHVBED010			
SW103	X-0504201T31	SWITCH,TACT SKHVBED010			
SW104	X-0504201T31	SWITCH,TACT SKHVBED010			
SW105	X-0504201T31	SWITCH,TACT SKHVBED010			
VARIABLE RESISTORS					
VR502	X-V1163Q3BTC	VOLUME,SEMI FIXED EVNCYAA03BQ3			

ACCESSORY REPLACEMENT PARTS LIST



REF. NO.	PART NO.	DESCRIPTION
1	X-076G0EC010	TRANSMITTER RM-C309G
2	X-722000A067	SHEET,UPC
3	X-791WHA0090	LAMIFILM,BAG
4	X-792WHA0332	PACKAGE, TOP
5	X-792WHA0333	PACKAGE,BOTTOM
6	X-793WCDB005	GIFT BOX
8	X-JB5KD500	POLYBAG
9	X-J3J70701	INSTRUCTION BOOK
10	X-J5500112	GUARANTEE CARD
11	X-J5500115	SERVICE STATION LIST
12	X-J5500117	REGISTRATION CARD
13	X-J5501202	GUARANTEE CARD

JVC SERVICE & ENGINEERING COMPANY OF AMERICA

DIVISION OF JVC AMERICAS CORP.

Head office :	1700 Valley Road, Wayne, New Jersey 07470	(973)317-5000
East Coast :	10 New Maple Avenue, Pine Brook, New Jersey 07058	(973)396-1000
Midwest :	705 Enterprise St. Aurora, Illinois 60504	(630)851-7855
West Coast :	5665 Corporate Avenue, Cypress, California 90630	(714)229-8011
Southwest :	10700 Hammerly, Suite 105, Houston, Texas 77043	(713)935-9331
Hawaii :	2969 Mapunapuna Place, Honolulu, Hawaii 96819	(808)833-5828
Southeast :	1500 Lakes Parkway, Lawrenceville, Georgia 30243	(770)339-2582

JVC CANADA INC.

Head office :	21 Finchdene Square Scarborough, Ontario M1X 1A7	(416)293-1311
Vancouver :	13040 Worster Court Richmond B.C. V6V 2B3	(604)270-1311

JVC